

# Steel Adjustable Keyboard Tray

The Easiest Way to Have a Sit-Stand Workstation

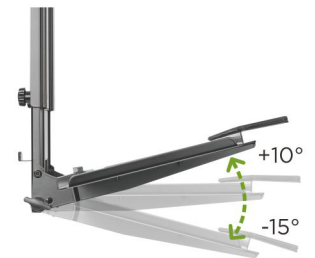
**KBT-01A**



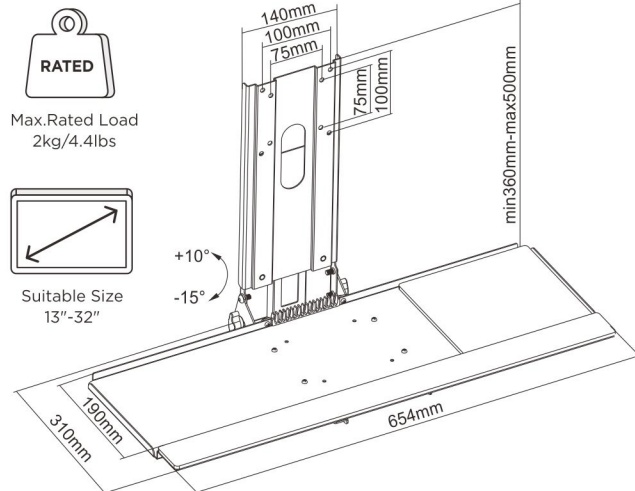
**Monitor Arm + Keyboard Tray  
= Sit-Stand Workstation**



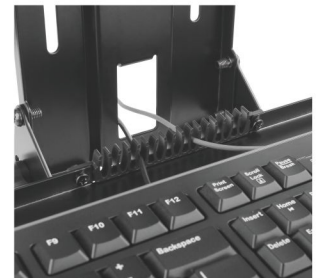
**Easy Height Adjustment**  
for Various Users.



**Tiltable Design**  
Reduces Strain on Wrists.



**Nicely Padded Edge**  
for Typing Comfort.



**Cable Slots**  
for Clutter-Free Worksurface.